

# Setting up the unit

DAV700/750Thy/S6

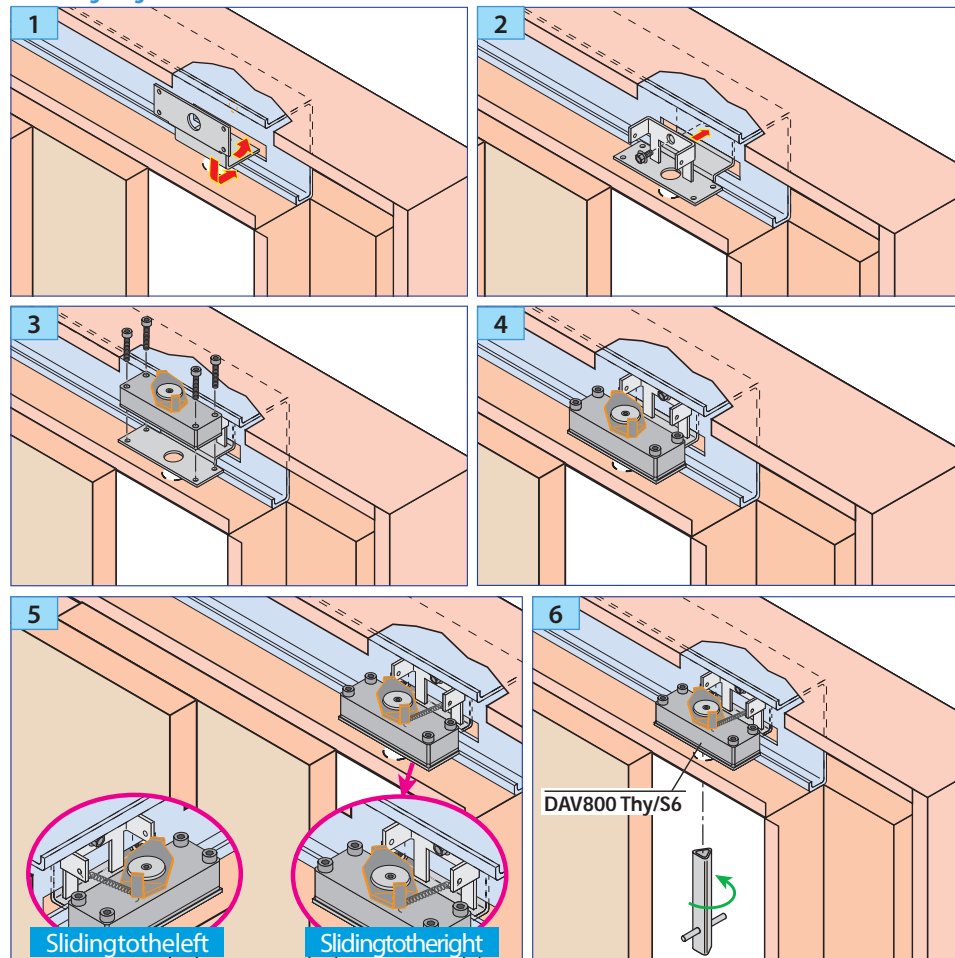
DAV800/850Thy/S6

DEX Thy/S6

Tri Thy/S6

MDV21 Thy/S6

## Mounting stages



### DAV - DEX

#### WIRING (DAV) :

- ② : 3 wires (inverse contact) :  
black (common) ; gray (NO) ; blue (NC).
- ③ : 2 wires : supply 24 V dc.

### MDV21

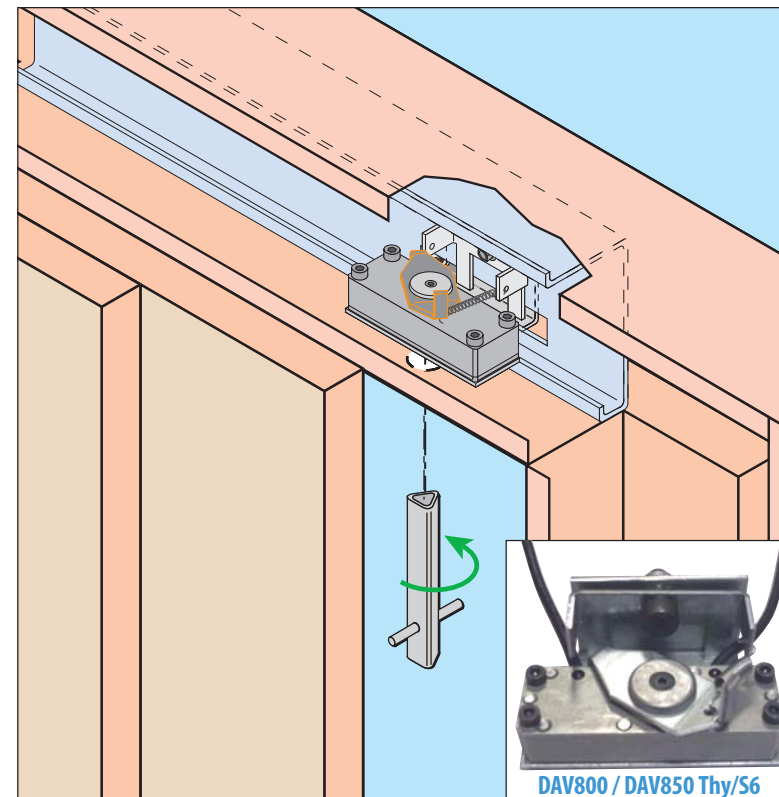
#### WIRING (MDV21) :

- ① : monostable security contact
- ② : Microswitch
- ③ : Option EN81-71.



Works with a  
bistable rearming  
Controller ARM/  
MDV21.

- Electromechanical anti vandal unlocking (door Thyssen/S6).
- Double door-opening detector (door Thyssen/S6) Conformity with EN81.21, EN81.21 + EN81.71



#### Supplies :

Set DAV Thy/S6 + screws or DEX Thy/S6 + screws or Tri Thy/S6 + screws or MDV21 Thy/S6 + screws.

#### Optional :

PLEASE, BEFORE INSTALLATION, READ IT CAREFULLY.

**prudhomme S.a**

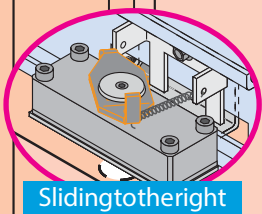
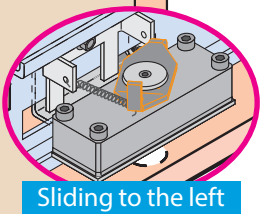
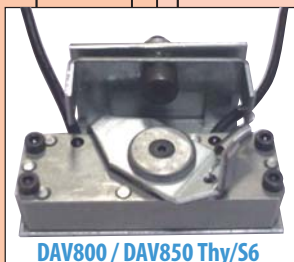
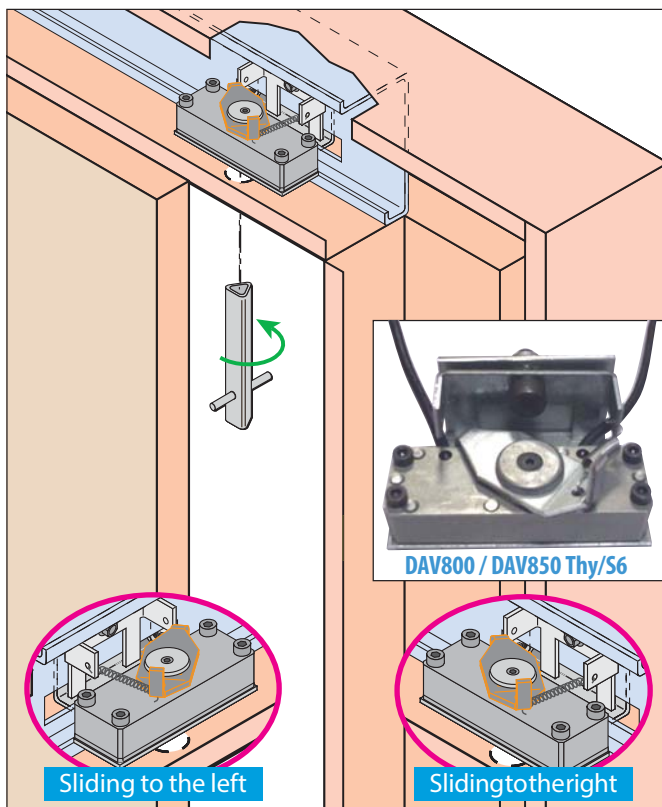
Matériel spécifique pour ascenseurs - specific parts and components for elevators

**prudhomme S.a**

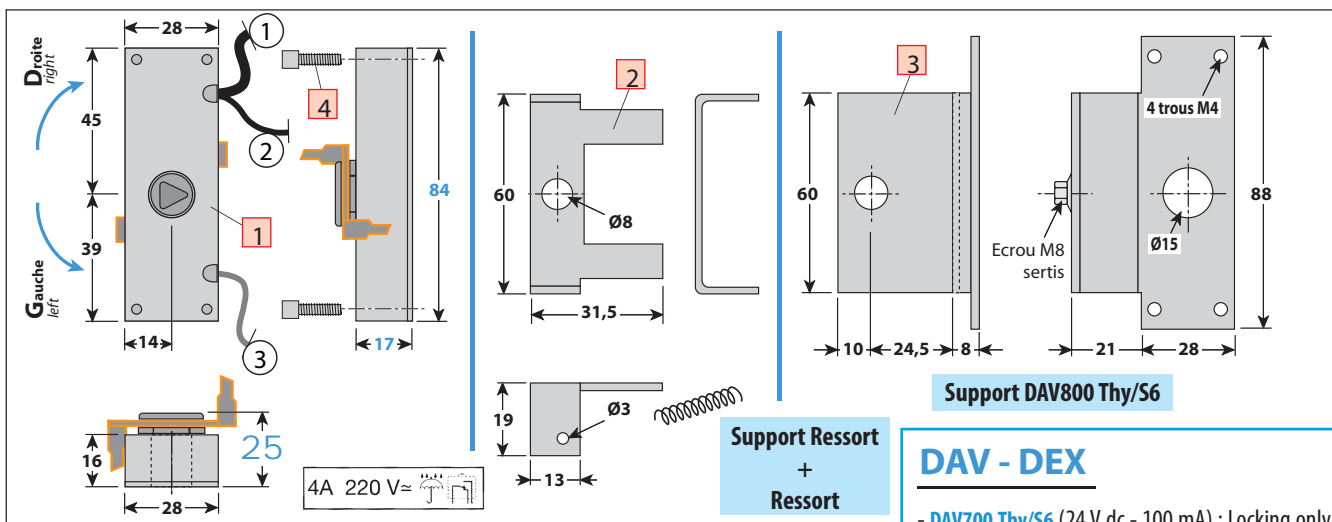
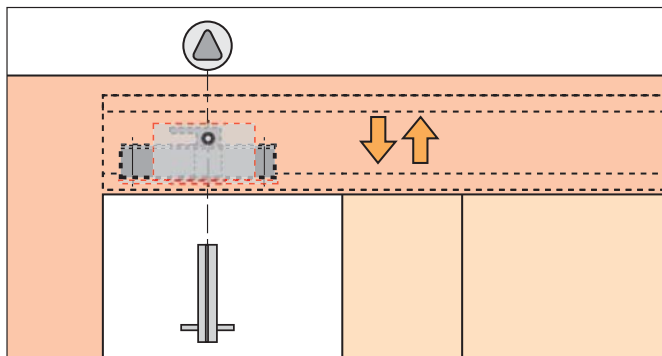
38, Rue Charles de Gaulle F  
94140 Paris/Alfortville  
www.prudhomme.com  
Tél. : +33 01 45 18 19 20  
Fax : +33 01 45 18 19 21

NI-A Document non contractuel, sous réserve de modification - Reproduction interdite. NI Ind. A du 19/03/2019

- Double door-opening detector (door Thyssen/S6) Conformity with EN81.21, EN81.21 + EN81.71



New installation and renovation



**IMPORTANT:**  
Specify the unlocking sense.

DAV700 Thy/S6-G	DAV700 Thy/S6-D
DAV750 Thy/S6-G	DAV750 Thy/S6-D
DAV800 Thy/S6-G	DAV800 Thy/S6-D
DAV850 Thy/S6-G	DAV850 Thy/S6-D
DEX Thy/S6-G	DEX Thy/S6-D
MDV21 Thy/S6-G	MDV21 Thy/S6-D

Product Composition

Rep.	Qty.	Designation
1	1	DAV-Thy/S6
2	1	Support + Ressort
3	1	Support DAV-Thy/S6

**MDV21**

**WIRING (MDV21):**

- ① : monostable security contact
- ② : Microswitch
- ③ : Option EN81-71.

Works with a bistable rearming Controller ARM/ MDV21.

Screws

Rep.	Qty.	Designation
4	2	Screws CHC 4x25 treated

**Support DAV800 Thy/S6**

**DAV - DEX**

- DAV700 Thy/S6 (24 V dc - 100 mA) : Locking only, Switched on : device blocking.
- DAV750 Thy/S6 (24 V dc - 100 mA) : Locking only, Switched off : device blocking.
- DAV800 Thy/S6 (24 V dc - 100 mA) : Switched on, mechanical sticking accessible to the triangle (impossible to use the unlocking key of the lock).
- DAV850 Thy/S6 (24 V dc - 100 mA) : Switched off, mechanical sticking accessible to the triangle (impossible to use the unlocking key of the lock).
- DEX Thy/S6 (microswitch) : inverse contact for buzzer.

**WIRING (DAV):**

- ② : 3 wires (inverse contact) :  
    **black** (common), **gray** (no) **blue** (NC)
- ③ : 2 wires : feeding 24 V dc